

# ADAPT A LEVER

## Door Handle



Adaptable backplate enables handle to accommodate a wide range of spindle centres

Concealed external fixing head and outer plate for increased security

Adaptable centres allow easy installation on locks with offset centres

Double spring mechanism to allow handles to return to horizontal position

Nylon seal on sliding mechanism to provide ingress protection

Weather resistant

## Why Choose The Adapt A Lever?

The Intelligent Hardware Stainless Steel Adapt A Handle features an adaptable handle height to accommodate both inline and offset centres between 59-96mm and adaptable screw centres. The adjustable handle is the ideal solution for those who aren't sure what handle they need and installers looking to reduce the amount of stock they carry.

## How does it work?

The handle features a sliding mechanism fitted with a nylon seal for ingress protection. The bottom fixing bolt will fit through all the handles on the market. The top bolt is positioned to fit most locks by being longer than normal.

Supplied complete with all plates, 8mm solid spindle, fixings and an Allen key.

Has a 290mm long backplate

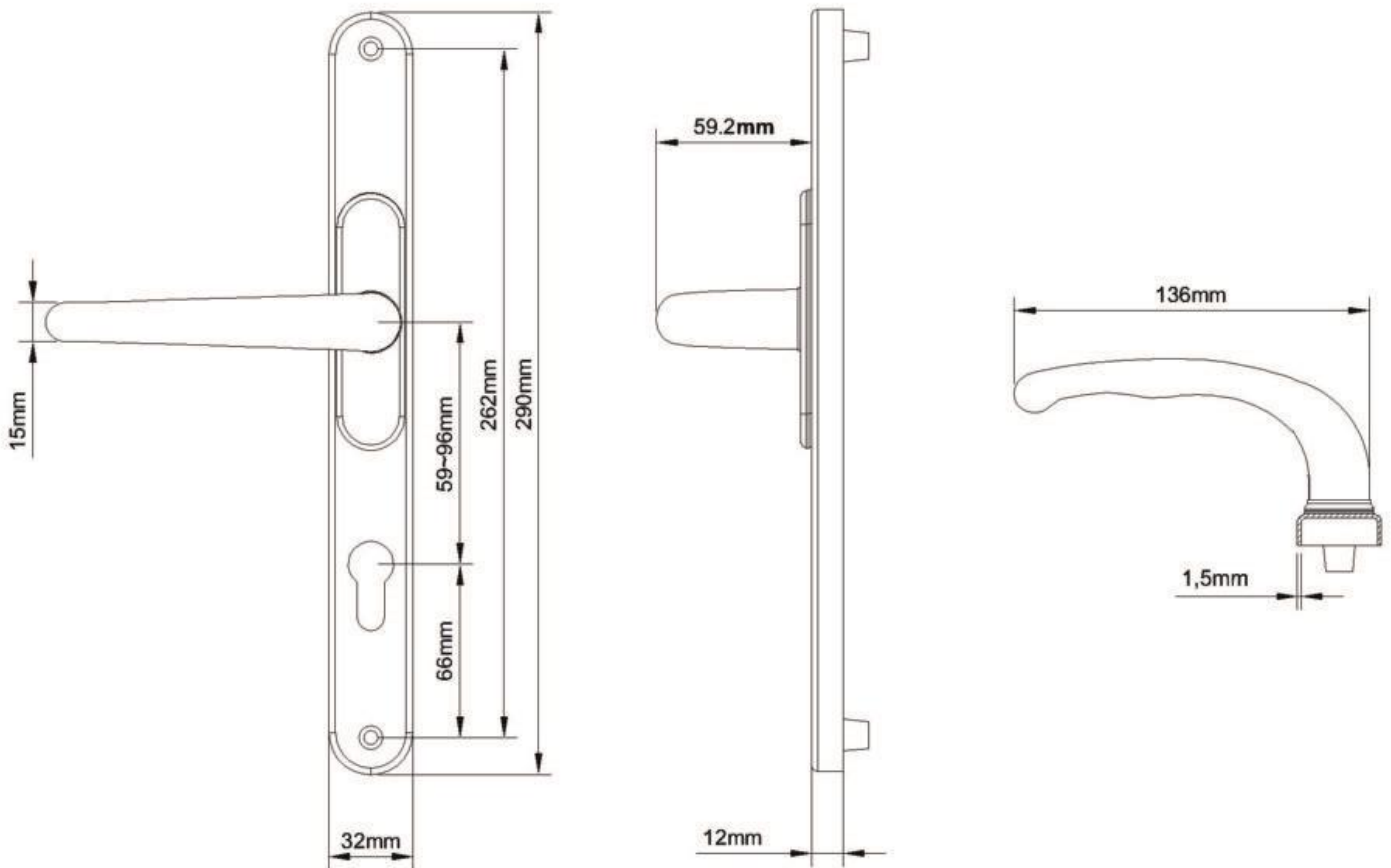
Each handle comes with a 5-year coating guarantee!

Handles are made of Stainless Steel

Adaptable vertical handle position to suit lock centres between 59-96mm

Cover most handle types on the market

Finish	219mm Backplate	Material Construction
PVD Gold	IH-ADAPT.A.LEVER.PB-PVD	Stainless Steel
Mirror Polished	IH-ADAPT.A.LEVER.PSS	Stainless Steel
Satin Stainless	IH-ADAPT.A.LEVER.SSS	Stainless Steel
White	IH-ADAPT.A.LEVER.WHT	Stainless Steel



Centres	59-96mm (adjustable)
Faceplate Width	32mm
Screw Centres	262mm
Spindle	8mm