

UAP High Security Door Handle Stainless Steel 219 mm



Anti drill resistance with integrated cylinder guard

Attack Resistance and easy fitting with self-adhesive tabs

Made from high grade materials

1 Hour Fire Rated

High quality, ergonomically designed handle

Highly durable

Cylinder and handle snapping protection

Water penetration resistance aided by the self-adhesive tabs



High Security

The high security front door handle contains many security features not found in other high security door handles, including: **1 - Anti-Drill Resistance** - The integrated cylinder guard helps protect your door from drilling attacks. The blind cylinder end only makes the plug of the cylinder visible, helping to protect the pins inside from being drilled.

2 - Easy Fitting and Attack Resistance - The self-adhesive tabs ensure not only easy and secure fitting also further strengthen the door handle against possible attacks

3 - Water Penetration Resistance - The self-adhesive tabs also aid in preventing water from penetrating between the door and handle, thus preventing corrosion, discoloration, and premature aging

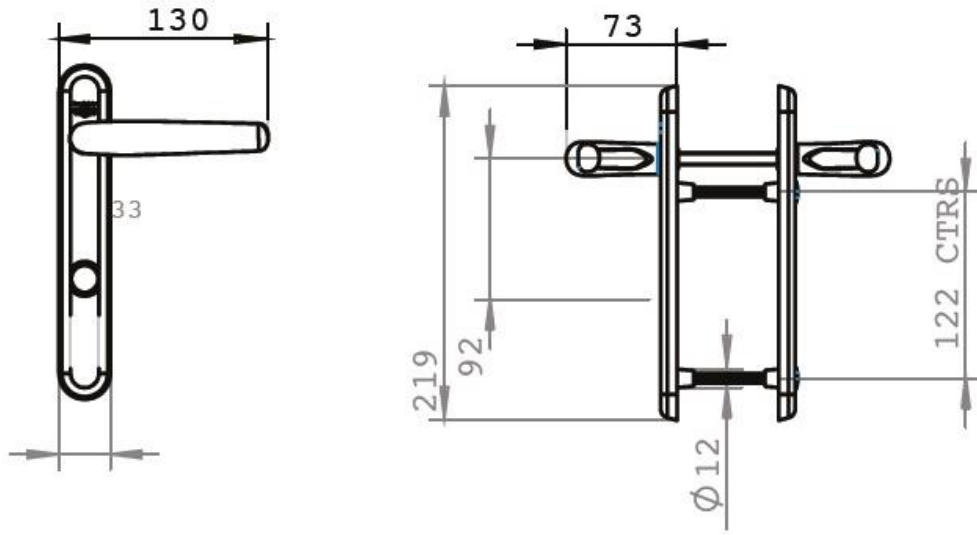
4 - Cylinder and Handle Snapping Protection - Once fitted onto the door, the door handle is developed so as to help protect from the most common break in methods, cylinder snapping and handle snapping

About this Handle

The UAP high security front door handle has a 219mm short backplate and is aimed at the fabricator who wants to offer a high quality, ergonomically shaped and designed door handle range but who doesn't want to get involved in fitting a cylinder guard. This fit and forget handle is packed with state of the art features and can be used by the professional installer offering a security upgrade service. The front door handle can be sprung and unprung, as the spring inside can be easily removed. PVD gold, mirror polished, and satin stainless-steel finishes are part of the [UAP Nanocoast](#) range and come with a LIFETIME coating guarantee.

Available in 3 finishes

Finish	219mm Backplate	Material Construction	Coating Guarantee
PVD Gold	HSH219PVDG-NANOCOAST	Stainless Steel	LIFETIME
Mirror Polished	HSH219MPSS-NANOCOAST	Stainless Steel	LIFETIME
Satin Stainless	HSH219SSS-NANOCOAST	Stainless Steel	LIFETIME



Fire Testing Standards:

Protection Time	Door Material	Certifire Specification
FD60 - 60 Minutes	Timber	No
FD30 - 30 Minutes	Nan Ya Composite	No

Sizes:

Door Handle Length	219mm
Door Handle Centres	92mm
Distance Between Screw Holes	122mm
Lever Length	130mm
Lever Protrusion	73mm
Backplate Width	33mm