

UAP High Security Door Handle

243 mm backplate
Aluminium



- Made from high grade materials
- High quality, ergonomically designed handle
- Attack Resistance and easy fitting with self-adhesive tabs
- Water penetration resistance aided by the self-adhesive tabs
- Anti drill resistance with integrated cylinder guard
- Cylinder and handle snapping protection

High Security Handle

The high security front door handle contains many security features not found in other high security door handles, including:

1 - Anti-Drill Resistance - The integrated cylinder guard helps protect your door from drilling attacks. The blind cylinder end only makes the plug of the cylinder visible, helping to protect the pins inside from being drilled.

2 - Easy Fitting and Attack Resistance - The self-adhesive tabs ensure not only easy and secure fitting also further strengthen the door handle against possible attacks

3 - Water Penetration Resistance - The self-adhesive tabs also aid in preventing water from penetrating between the door and handle, thus preventing corrosion, discoloration, and premature aging

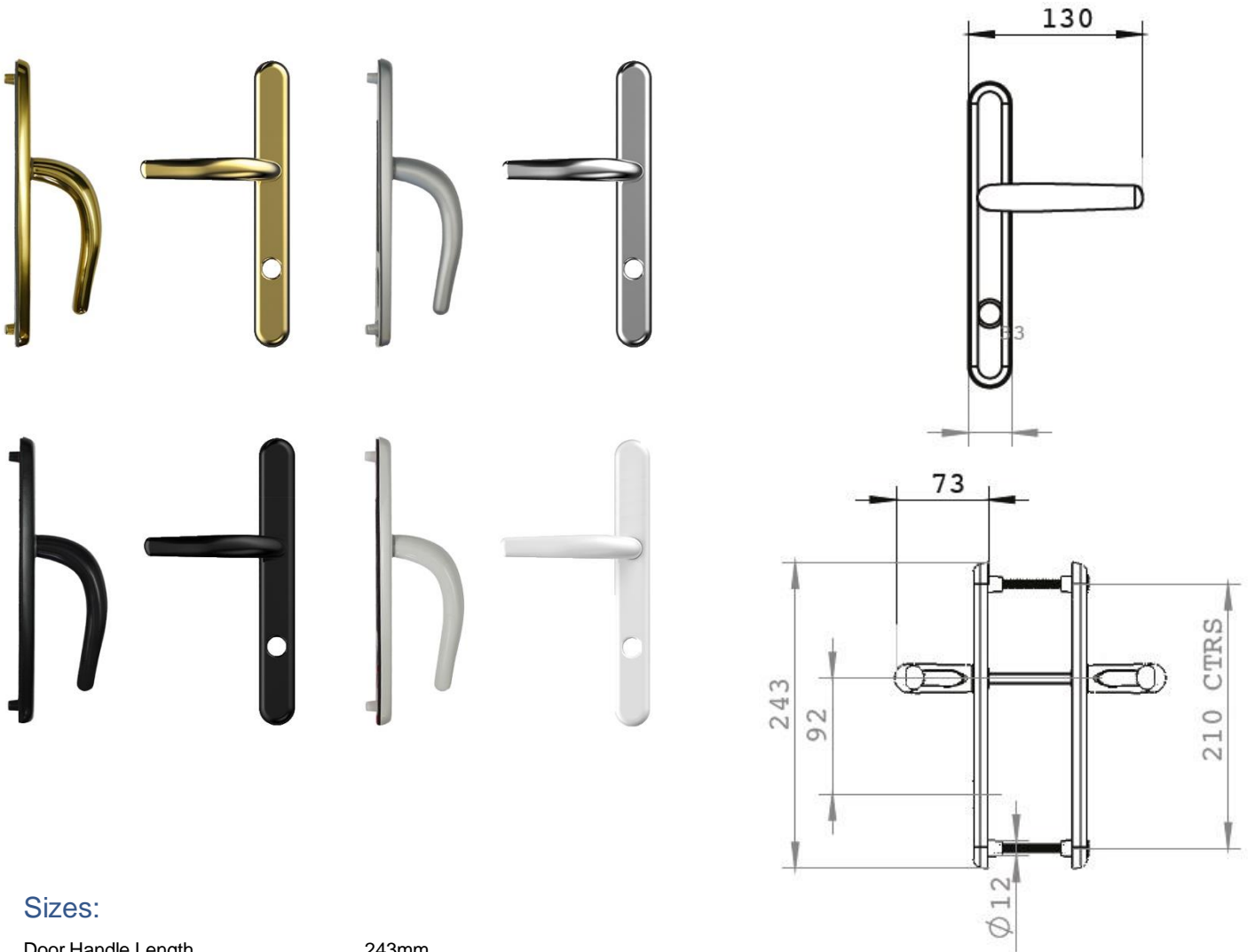
4 - Cylinder and Handle Snapping Protection - Once fitted onto the door, the door handle is developed so as to help protect from the most common break in methods, cylinder snapping and handle snapping

About the Handle

The UAP high security front door handle has a 243mm long backplate and is aimed at the fabricator who wants to offer a high quality, ergonomically shaped and designed door handle range but who doesn't want to get involved in fitting a cylinder guard. This fit and forget handle is packed with state of the art features and can be used by the professional installer offering a security upgrade service. The front door handle can be sprung and unsprung, as the spring inside can be easily removed. Gold anodised, silver anodised, black and white front door handles are made from aero-space grade aluminium and have a 10-year colour fast coating guarantee.

Available in 6 finishes

Finish	243mm	Material	Coating
Gold Anodised	HSH243GA-SIGNATURE	Aluminium	10 Years Colour Fast
Silver Anodised	HSH243SA-SIGNATURE	Aluminium	10 Years Colour Fast
Black Powder Coat	HSH243BL-SIGNATURE	Aluminium	10 Years Colour Fast
White Powder Coat	HSH243W-SIGNATURE	Aluminium	10 Years Colour Fast
PVD Gold	HSH243PVDG-SIGNATURE	Zamak	5 Years Colour Fast
Chrome	HSH243CH-SIGNATURE	Zamak	5 Years Colour Fast



Sizes:

Door Handle Length	243mm
Door Handle Centres	92mm
Distance Between Screw Holes	210mm
Lever Length	130mm
Lever Protrusion	73mm
Backplate Width	33mm