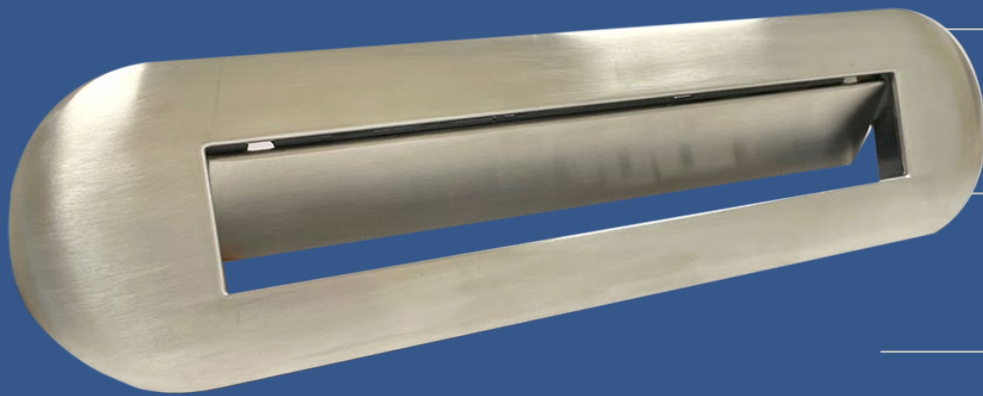


Inward-Opening Letterplate

The Soterian



Quick and easy five step fitting

Have Pivoting Stay Mechanism for protection against 'key fishing' and lock manipulation

Full unrestricted door opening

The Soterian Inward-Opening

The Soterian Inward-opening letterplate, teamed with the Soterian Slim internal section which is the most compact letterplate on the market, boasts features that set it apart from other letterplates on the market. The letterplate consists of a minimal internal flap projection, giving a less intrusive feel to the door. In fact, the letterplate lies within the straight line from the hinge side of the door to the handle. This unrestricted door opening means the door can open fully without the risk of the letterplate smashing against and causing damage to the interior wall. An innovative pivoting stay mechanism reduces internal flap opening for protection against 'key fishing' and lock manipulation. Designed for 44-54mm thick timber and composite doors, installation is quick and simple.

Mix and match solution

Our revolutionary mix and match solution gives you the freedom to choose what finish you want for the internal and external frame. Whether it is a black inner frame with a white outer frame, or a traditional gold inner flap and gold outer flap – the choice is yours! Choose from 6 different finishes: chrome, gold adonised, silver adonised, polished silver, black and white.

Made of Stainless Steel

Opens Inwards

Designed for 44mm - 54mm composite and timber doors

Teamed with the Soterian Slim internal section which is the most compact letterplate on the market

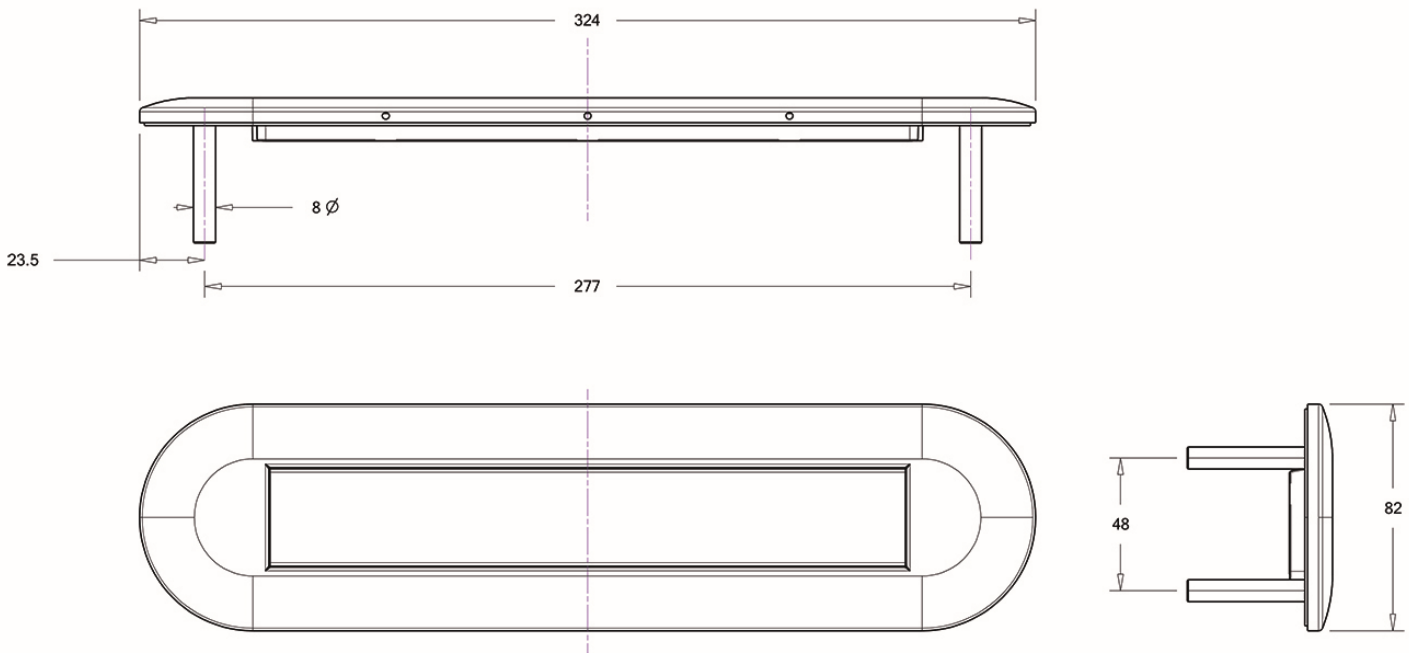
No fixings to the exterior of the letterplate, preventing the outer frame being unscrewed from the door externally

Available in 2 finishes

| Finish | Internal Frame Code* | External Frame Code | Flap Material Construction | Coating Guarantee |
|--------------|----------------------------|---------------------------------|-----------------------------|-------------------|
| Satin Silver | TS008-INTERNAL-SLIM-SILVER | TS008-EXT-INWARD-SSS-NANOCOAST | Aluminium / Stainless Steel | Lifetime |
| Chrome | TS008-INTERNAL-SLIM-CHROME | TS008-EXT-INWARD-MPSS-NANOCOAST | Aluminium / Stainless Steel | Lifetime |

Fitting Instructions:

1. Fit the iPlate Letterbox onto exterior door face
2. Push the internal frame onto the aperture. Push your hand through to the external side and hold both frames together. Fix with the four machine screws provided. Gradually tighten up all four sides. Secure the internal side with the four gimlet point screws provided. You can drill pilot holes if required
3. Click open the serrated stays
4. Feed the stays into the two slots and line up with two hinges at the top of the frame
5. Push the steel rod through the hole on the internal side of the flap to secure it



External frame sizes

| | |
|------------------------------|-----------------|
| Distance between screw holes | 277mm x 48mm |
| Letterplate Length | 324mm |
| Letterplate Height | 82mm |
| Flap Material | Aluminium |
| Frame Material | Stainless Steel |
| Flap Projection | 14mm |