

UAP Keyless Window Restrictor



20cm long restrictor cable restricts window opening to under 100mm

Exceeds strength requirements of EN 16281

Can withstand forces over 1000N (1KN) although we always aim for 2500N (255kg) and above – industry standard is 500N



Supplied with four self-drilling screws

Locking system resistant to oxidation and corrosion

Ideal for hospitals, nurseries, schools, hotels etc.

Can be used on all types of windows and doors including uPVC, aluminium, wooden and metal profiles

Push to Lock Feature

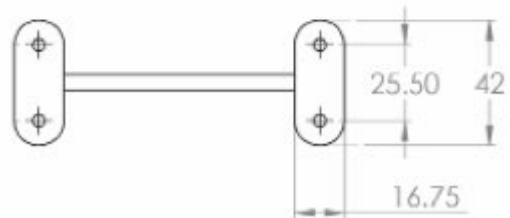
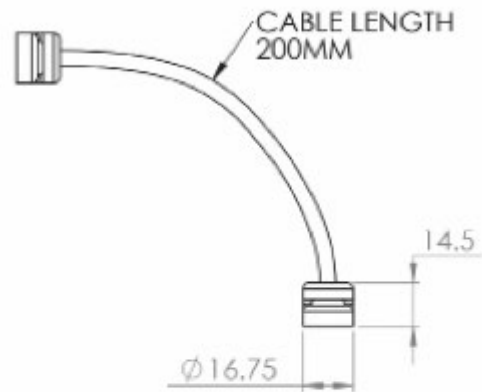
The new push to lock feature allows the cable to be locked in place by simply pushing the mechanism into place. It is possible to fit the UAP keyless window restrictor on fire escape windows. The window restrictor is designed to take a minimum of a 35kg load when it is pushed open. The window may need to have multiple restrictors fitted to achieve this requirement. There is no minimum or maximum dimension for which window can be used as long as the window opening is restricted to 89mm or 100mm. One of the important features on the UAP window restrictor is the strength of the cable once locked into the locking system. Some window restrictors claim that the strength of the cable exceeds 500kg. However, even though this may be true, it does not mean anything as it is the strength of the cable once locked into the locking system that actually matters. The UAP window restrictor, once the cable is locked into the locking system, can withstand forces over 100kg, which is more than enough to take the weight of any child. This is twice the industry standard which is 50kg!

The Royal Society for the Prevention of Accidents provides research that states that in the UK over 4,000 children under the age of 15 are injured yearly from unsecured windows which they fall out of, with 2,000 of these accidents involving children under 5 years old. A small yet very effective and extremely affordable solution is the UAP window restrictor. The window restrictor has a 20cm long cable, which when installed correctly will limit the opening of the window to under 100mm. Not only will this prevent children from being able to fit through the gap, but it also allows enough air to circulate around a room.



Available in a white finish

Finish	Cord Colour	Code
White	White	WRWHITE-KEYLESS



The window restrictor consists of the following:

- 1 x 20cm hardened steel cable
- 1 x locking system and plastic cap
- 4 x self-drilling screws