

# UAP Push to Lock Window Restrictor



20cm long restrictor restricts window opening to under 100mm

Push to Lock feature means cable is locked into place without the need of the key

Comes with 1 universal key - additional keys are available



Can be used on fire escape windows, as long as the key is kept within easy reach

Supplied with 4 self-drilling screws

Locking system and key resistant to oxidation and corrosion

Can be used on all types of windows and doors including uPVC, aluminium, wooden and metal profiles

## Increased Security

The Royal Society for the Prevention of Accidents provides research that states that in the UK over 4,000 children under the age of 15 are injured yearly from unsecured windows which they fall out of, with 2,000 of these accidents involving children under 5 years old. A small yet very effective and extremely affordable solution is the UAP window restrictor. The window restrictor has a 20cm long cable, which when installed correctly will limit the opening of the window to under 100mm. Not only will this prevent children from being able to fit through the gap, but it also allows enough air to circulate around a room.

## Made from High-Quality Material

The cable itself is made from hardened steel, which makes it extremely difficult to cut. It makes the window restrictor ideal for customers who are based on ground floors and want to leave their windows open but are afraid that they may be broken in to!

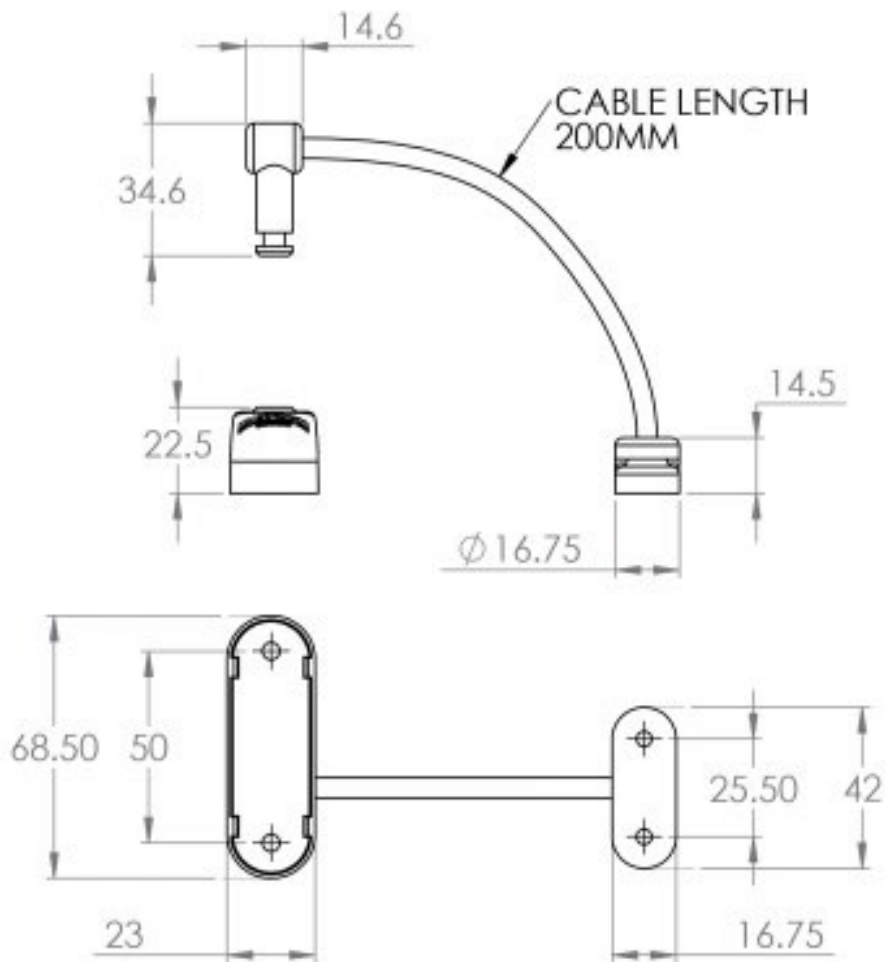
## Push to Lock Feature

The new push to lock feature allows the cable to be locked in place by simply pushing the mechanism into place without the need of the key. The window restrictor is lockable, and can be unlocked using a key if necessary, and the window will then be able to be opened fully. Due to this reason, it is possible to fit the UAP lockable window restrictor on fire escape windows, provided that the user keeps the key within easy reach.



## Available in 3 finishes

Finish	Cord Colour	Code
White	White	WRWHITE
Black	Black	WRBLACK
Brown	Brown	WRBROWN



The window restrictor consists of the following:

- 1 x 20cm hardened steel cable
- 1 x locking system and plastic cap
- 1 x window restrictor key
- 4 x self-drilling screws