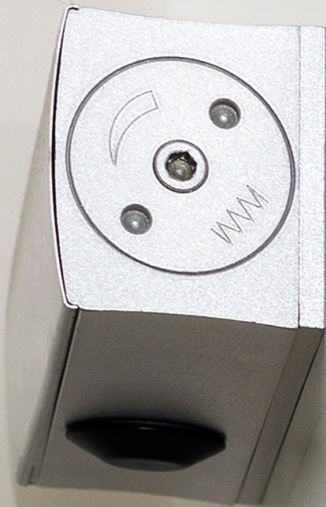


**UAP**  
**UAP**  
LTD



Door Closers





**Door Closer Range from UAP Ltd**  
**– Engineered for Performance and Style**

UAP's latest innovation in door control: a brand-new range of precision-engineered door closers designed to deliver superior safety, durability, and effortless functionality in every setting.

Whether you're upgrading residential entrances, fitting out commercial spaces, or enhancing fire door security, our new closers combine cutting-edge technology with sleek, minimalist design to suit modern architectural styles.

Key Features:

**Adjustable Closing Speed & Latching Action** – Smooth, silent operation with customizable settings for total control.

**Tested to EN Standards** – Built to meet rigorous industry benchmarks for safety, performance, and fire resistance.

**Durable & Corrosion-Resistant** – Robust construction ideal for both interior and exterior doors.

**Multiple Mounting Options** – Flexible installation for standard, parallel arm, or overhead configurations.



**Reliable and built to go the distance**  
**– this is door control, the UAP way.**

# Overhead Door Closers

## Power 2-4



### Product Overview

- A high efficiency, rack and pinion closer
- Advanced, reliable and efficient high-tech performance door closer
- An eco-friendly door closer that uses sustainable materials and energy-efficient features

### Available in



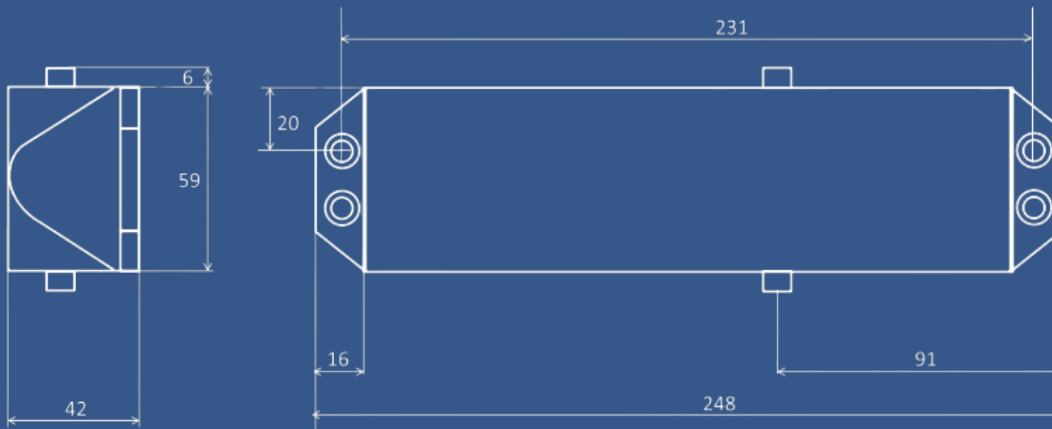
### Testing & Standards

- CE marked against EN1154
- Included in successful fire test to EN1634
- Suitable for use on timber fire doors up to 120 minutes fire resistance
- Safe to use
- High corrosion resistance



Stylish Finish Options

# Overhead Door Closers Power 2-4



Size 2-4



1100mm  
(max door width)



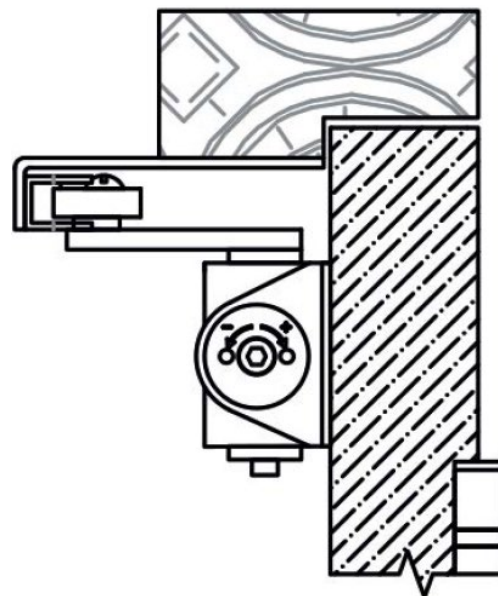
80kg  
(max door weight)



25 Years

Closing force	EN size	2-4
Door size (max)	Width (mm)	1100
	Weight (kg)	80
Door size (min)	Width (mm)	280
Body dimensions	Length (mm)	248
	Height (mm)	59
	Depth (mm)	42
Application	Pull side fig 1	✓
	Push side fig 66	✓
Mechanism	Rack & pinion	✓
Angle of opening		180°
Non handed		✓
Power adjustment by spring		✓
Adjustable sweep speed		✓
Adjustable latch speed		✓
Adjustable back check		✓

## Mounting dimensions



Adjustable Closing Speed & Latching Action

# Overhead Door Closers

## Power 2-5

### Spring Adjustable



#### Product Overview

- A high efficiency, rack and pinion closer
- Advanced, reliable and efficient high-tech performance door closer
- An eco-friendly door closer that uses sustainable materials and energy-efficient features

#### Testing & Standards

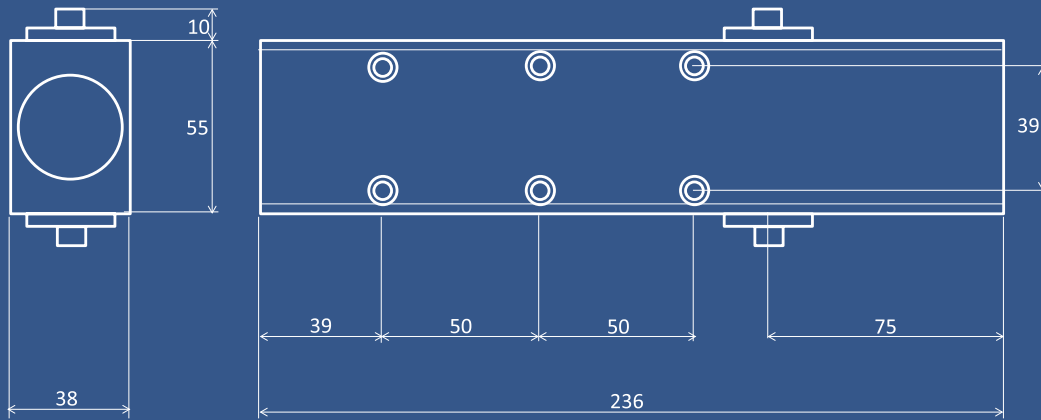
- CE marked against EN1154
- Included in successful fire test to EN1634
- Suitable for use on timber fire doors up to 120 minutes fire resistance
- Safe to use
- High corrosion resistance

#### Available in



Fire-rated & tested to EN standards – Safety you can rely on.

# Overhead Door Closers Power 2-5



Size 2-5



1250mm  
(max door width)



100kg  
(max door weight)



25 Years

Specification		
Closing force	EN size	2-5
Door size (max)	Width (mm)	1250
	Weight (kg)	100
Door size (min)	Width (mm)	350
Body dimensions	Length (mm)	236
	Height (mm)	58
	Depth (mm)	38
Application	Pull side fig	✓
	Push side fig 6	✓
	Transom fig 6	✓*
Mechanism	Rack & pinion	✓
Power shoe bracket		✓
Angle of opening		180°
Non handed		✓
Power adjustment by spring		✓
Adjustable sweep speed		✓
Adjustable latch speed		✓
Adjustable backcheck		✓
Adjustable delayed action		✓

Options	
Architrave Bracket	✓*
Drop plate	✓*
Hold-open arm (Not suitable for use on fire doors)	✓*
Saddle bracket for glass door installation	✓*
Upstand bracket for over panel or UPVC doors	✓*
* these options are not covered by	
Cover options	
Semi-radius	✓
Full-radius	✓
Square	✓

Available in a selection of colours to suit any style of door.

# Slimline Overhead Door Closer

## Power 2-5

Architectural Cam Action



### Product Overview

- A high efficiency, cam action slide arm closer.
- Suitable for most applications particularly those with public use.
- An ideal solution for heavy doors combining additional closing force requirements with ease of operation.

### BS8300 - Approved Document M

The UAP door closer provides exceptional ease of use by reducing the resistance encountered when opening the door. The UAP door closer has an opening force less than 30N at 0-30° and less than 22.5N at 30° – 60° therefore meeting the requirements of BS8300 – Approved Document M.

### Available in



Polished  
Stainless



Satin  
Stainless

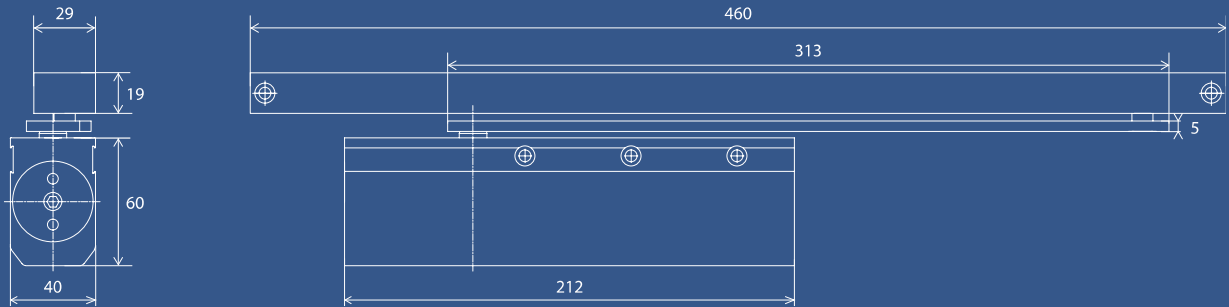


Silver



Fire-rated & tested to EN standards – Safety you can rely on.

# 2-5 Slimline Door Closer



Size 2-5



1250mm  
(max door width)



100kg  
(max door weight)

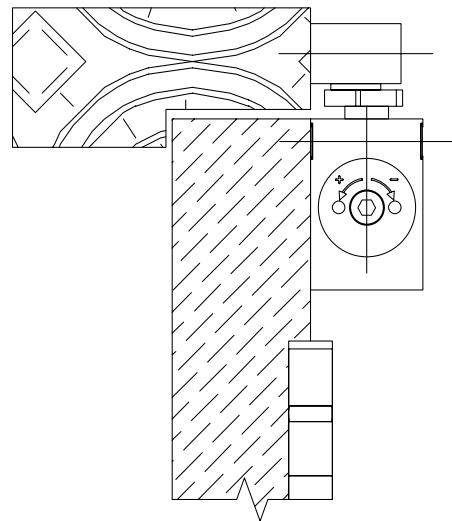


25 Years

## Testing to use & Standards

- CE marked against EN1154
- Included in successful fire test to EN1634
- Suitable for use on timber fire doors up to 120 minutes fire resistance
- Safe to use
- High corrosion resistance

## Mounting dimensions



Easy to fit – Suitable for a range of mounting options, with clear instructions.

# Concealed Cam Action Door Closers

## Power 2-4

ADJUSTABLE CAM ACTION  
WITH GUIDE RAIL - POWER 2-4



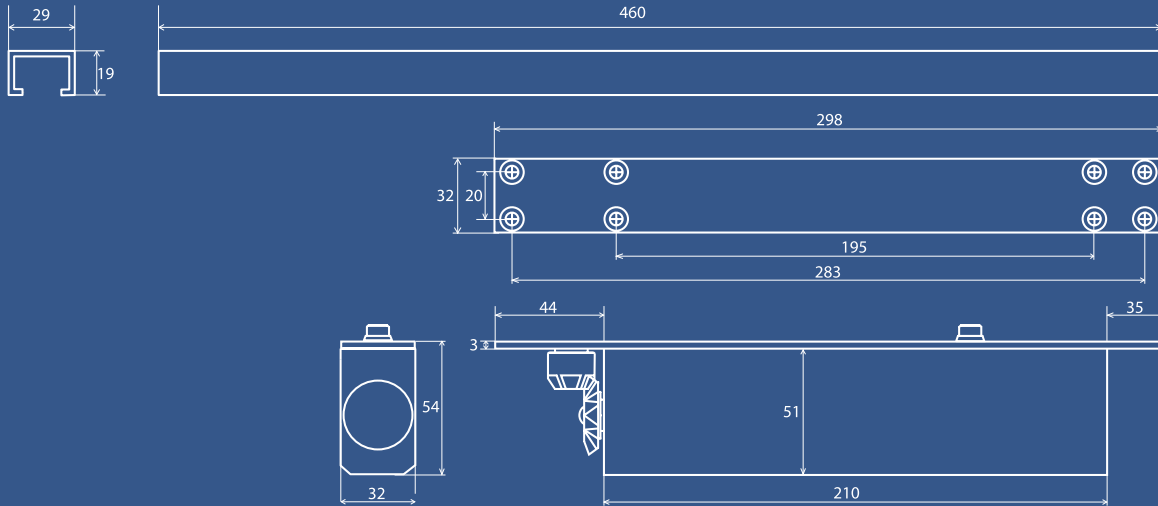
### Product Overview

- Variable power size 2 - 4 high efficiency closer
- Concealed Cam action
- For FD60 fire doors
- Suitable for heavy use area

### BS8300 - Approved Document M

The UAP door closer provides exceptional ease of use by reducing the resistance encountered when opening the door. The door closer has an opening force less than 30N at 0-30° and less than 22.5N at 30° – 60° therefore meeting the requirements of BS8300 – Approved Document M.

# 2-4 Concealed Door Closer



Size 2-4



1100mm  
(max door width)



80kg  
(max door weight)



25 Years

## Testing to use & Standards

- Included in successful fire test to EN1634
- CE marked against EN1154 UKCA marked against EN1154 Suitable for use on timber fire doors
  - 44mm - 30 minutes fire resistance
  - 54mm - 60 minutes fire resistance with suitable intumescent pack
- Safe in use
- High corrosion resistance

## Meets opening force requirements



Specification		
Closing force (Fig 1)	EN size	2-4
Door size (max)	Width (mm)	1100
	Weight (kg)	80
Body dimensions	Length (mm)	210
	Height (mm)	54
	Depth (mm)	32
Application	Concealed	✓
Mechanism	Cam	✓
Angle of opening		105°
Non handed		✓
Power adjustment by spring		✓
Adjustable sweep speed		✓
Adjustable latch speed		✓

Smooth & controlled – Adjustable closing and latching speeds for just the right feel.

# Concealed Cam Action Door Closers

## Power 2-5

ADJUSTABLE CAM ACTION  
WITH GUIDE RAIL - POWER 2-5



### Product Overview

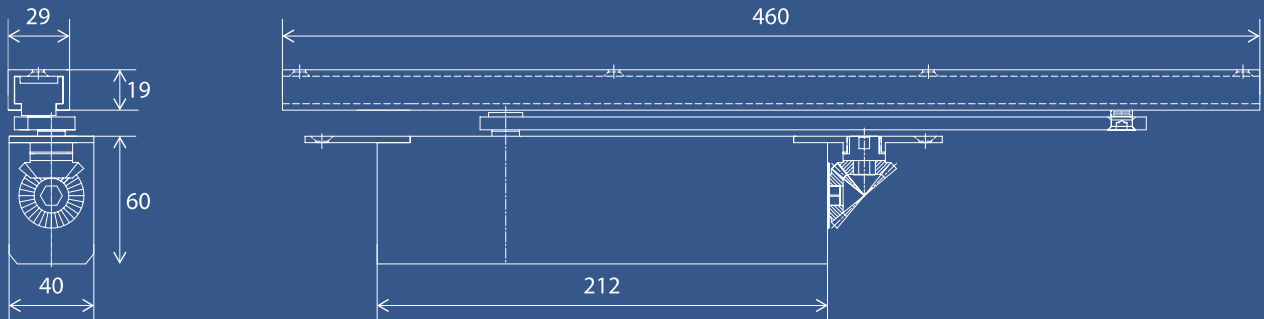
- Variable power size 2 - 5 high efficiency closer
- Concealed Cam action
- For FD60 fire doors
- Suitable for heavy use area

### BS8300 - Approved Document M

The UAP concealed door closer provides exceptional ease of use by reducing the resistance encountered when opening the door. The UAP door closer has an opening force less than 30N at 0-30° and less than 22.5N at 30° – 60° therefore meeting the requirements of BS8300 – Approved Document M.

Easy to fit – Suitable for a range of mounting options, with clear instructions.

# 2-5 Concealed Door Closer



Size 2-5



1250mm  
(max door width)



80kg  
(max door weight)



25 Years

## Testing to use & Standards

- CE marked against EN1154
- Included in successful fire test to EN1634
- Suitable for use on timber fire doors  
- 54mm - 60 minutes fire resistance  
with suitable intumescent pack
- Safe in use
- High corrosion resistance

## Meets opening force requirements

Specification		
Closing force (Fig 1)	EN Size	2-5
Door size (max)	Width (mm)	1250
	Weight (kg)	100
Door size (min)	Width (mm)	400
Body dimensions	Length (mm)	212
	Height (mm)	60
	Depth (mm)	40
Application	Concealed	
Mechanism	Cam	
Angle of opening	105°	
Non handed		
Power adjustment by spring		
Adjustable sweep speed		
Adjustable latch speed		



## Why Compliance Matters

Fire doors are a vital part of a building's passive fire protection system. In the UK, compliance with fire safety regulations – including the Regulatory Reform (Fire Safety) Order 2005 and the Fire Safety (England) Regulations 2022 – is not just a legal requirement, but a matter of life and death.

**Protecting Lives:** Compliant fire doors are designed to hold back fire and smoke, allowing occupants more time to evacuate and helping firefighters do their job safely and effectively.

**Meeting Legal Duties:** Building owners, landlords, and responsible persons have a legal duty to ensure that fire doors are correctly installed, regularly maintained, and meet relevant British Standards (such as BS 476 and BS EN 1634).

**Avoiding Penalties:** Failure to comply can lead to hefty fines, criminal charges, and invalidated insurance cover in the event of a fire.

**Demonstrating Responsibility:** Regular inspections and maintenance show a commitment to safety, reassuring residents, staff, and visitors alike.



# Drive progress with us

Speak to our specialist team

Sales Enquiries:  
[sales@uaplimited.com](mailto:sales@uaplimited.com)

All Enquiries:  
[enquiries@uaplimited.com](mailto:enquiries@uaplimited.com)

