

# Damaged or broken letterplate on your fire door?



**FIREMONGERY®**

Compliance made easy.

Fire door compliance does not need to involve the cost and disruption of full door replacement or take weeks to resolve.

**FIREMONGERY®**

Compliance made easy.

**The Firemongery Fire Rated Letterplate Range provides a cost-effective, compliant replacement solution for existing letterplates fitted to FD30 timber doorsets.**



- **Designed to meet required FD30 fire performance standards**
- **Accommodates various letterplate apertures**
- **Suitable for compliant fire door component replacement**
- **Out-of-the box solution with pre-installed intumescent protection**

## **A Smarter, More Cost-Effective Solution**

Replacing an entire **FD30 doorset** can be expensive, disruptive and unnecessary. By replacing the letterplate rather than the door, Firemongery helps deliver:

- **Savings of £2,000** or more per door
- Reduced capital expenditure across large estates
- Extended service life of existing compliant fire doors

Ideal for housing, commercial and managed buildings where compliance and cost control are equally critical.

# Make your door compliant in minutes



Door compliant in as little as 5 minutes with our quick-fit fire rated letterplates.

# Fire Safety Without Compromise

A practical solution that supports:

- Fire risk assessments
- Remedial actions following inspections
- Ongoing compliance management

# Designed for Efficient Installation

- Suitable for both planned maintenance programmes and reactive works.
- Faster fitting times and reduced costs
- Minimised disruption in occupied buildings

# Clear Audit Trail

Each letterplate is supplied with a QR code, providing instant access to:

- Compliance documentation
- Supporting technical information

Ensuring clear evidence for audits, inspections and compliance records.

# Why Specify Firemongery?

- Compliance-led design
- Cost-effective alternative to full doorset replacement
- Practical solutions for real-world building management
- Trusted support for **FD30** fire door safety

**FIREMONGERY®**

Compliance made easy.

# FRAMEMASTER 12"

## FD30 LETTERPLATE - PLASTIC FRAME

### For 44mm Door Profiles

Perfect replacement for Timber FD30 doorsets.

The FIREMONGERY Anti Vandal 12 inch letterplate comes with both an external and internal flap to protect your customer's homes, and is available in 44mm depth for wooden doors.



180° opening  
prevent the flap  
snapping off

Ultra-Flexible  
springs withstand  
thousands of  
opening

Lined with  
intumescent material  
which expands to 50  
times its size

Outward facing,  
draft proof brushes  
prevents vandals  
placing unwanted  
items into the cavity

UAP letterplates have been assessed by Warringtonfire.

Based upon referenced fire resistance test evidence conducted to BS 476 Part 22: 1987, the letterplates are considered capable of achieving up to 30 minutes fire integrity, when:

- Installed within a doorset having proven fire resistance performance of at least 30 minutes integrity.
- Fitted strictly in accordance with the aperture dimensions, fixing methods, and intumescent protection:
  - Installation requires a door leaf aperture up to 253 mm wide by 47 mm high
- Installed within the assessed height range of 300mm to 1700mm from the bottom of the door.
- Used in timber-based doorsets consistent with those described within the assessment scope.

Full details available upon request.

## PRODUCT CODES

FINISH	PRODUCT CODE	FRAME (PLASTIC)	FLAP MATERIAL	COATING GUARANTEE
Gold Anodised	FMB1248G-FR	Black	Aluminium	5 Years Inland
Silver Anodised	FMB1248SA-FR	Black	Aluminium	5 Years Inland
Black Powder Coat	FMB1248W-FR	Black	Aluminium	5 Years Inland
White Powder Coat	FMB1248B-FR	Black	Aluminium	5 Years Inland
PVD Gold	FMB1248PVDG-FR-NANOCAST	Black	Stainless Steel	LIFETIME
Mirror Polished	FMB1248MPSS-FR-NANOCAST	Black	Stainless Steel	LIFETIME
Satin Stainless	FMB1248SSS-FR-NANOCAST	Black	Stainless Steel	LIFETIME

## MEASUREMENTS

Distance Between Screw Holes	280mm
Letterplate Length	300mm
Letterplate Height	65mm
Frame Material	Plastic
Cavity Hole Size with intumescent	253mm x 47mm



**FD30  
TIMBER DOORS**



**COMPLIANT  
REPLACEMENT**



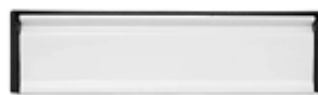
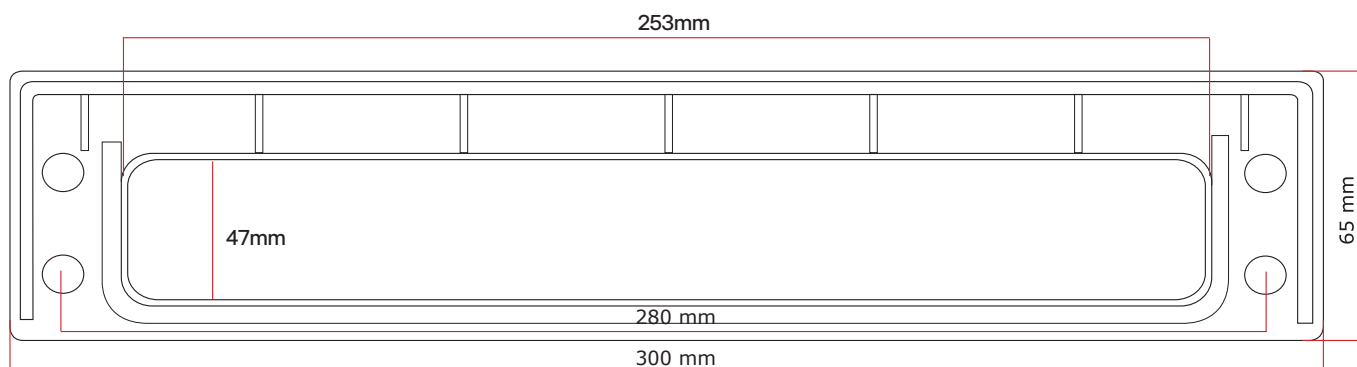
**MEETS FD30  
SPECIFICATION**



**FITS APERTURES UP  
TO 253 MM WIDE  
BY 47 MM HIGH**



**PRE-INSTALLED  
INTUMESCENT**



# ALL STAINLESS STEEL 12"

## FD30 HEAVY-DUTY LETTERPLATE



**For 44mm Door Profiles**

**Perfect replacement for Timber FD30 doorsets.**

The FIREMONGERY Heavy-duty 12 inch letterplate comes with both an external and internal flap to protect your customer's homes, and is available in 44mm depth for wooden doors.



180° opening  
prevent the flap  
snapping off

Ultra-Flexible  
springs withstand  
thousands of  
opening

Lined with  
intumescent material  
which expands to 50  
times its size

Outward facing,  
draft proof brushes  
prevents vandals  
placing unwanted  
items into the cavity

UAP letterplates have been assessed by Warringtonfire.

Based upon referenced fire resistance test evidence conducted to BS 476 Part 22: 1987, the letterplates are considered capable of achieving up to 30 minutes fire integrity, when:

- Installed within a doorset having proven fire resistance performance of at least 30 minutes integrity.
- Fitted strictly in accordance with the aperture dimensions, fixing methods, and intumescent protection:  
Installation requires a door leaf aperture up to 260 mm wide by 47 mm high
- Installed within the assessed height range of 300mm to 1700mm from the bottom of the door.
- Used in timber-based doorsets consistent with those described within the assessment scope.

Full details available upon request.

## PRODUCT CODES

FINISH	PRODUCT CODE	MATERIAL	COATING GUARANTEE
PVD Gold	FMSS1248PVDG-HD-FR-NANOCOAST	Stainless Steel	LIFETIME
Mirror Polished	FMSS1248MPSS-HD-FR-NANOCOAST	Stainless Steel	LIFETIME
Satin Stainless	FMSS1248SSS-HD-FR-NANOCOAST	Stainless Steel	LIFETIME

## MEASUREMENTS

Distance Between Screw Holes	272mm
Letterplate Length	300mm
Letterplate Height	75mm
Frame Material	Stainless Steel
Cavity Hole Size with intumescent	260mm x 47mm



**FD30  
TIMBER DOORS**



**COMPLIANT  
REPLACEMENT**



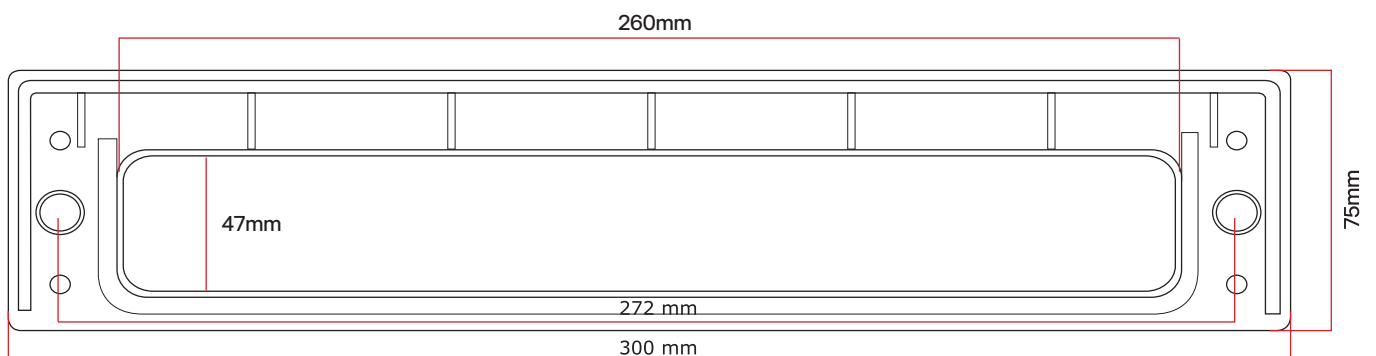
**MEETS FD30  
SPECIFICATION**



**FITS APERTURES UP  
TO 260 MM WIDE  
BY 47 MM HIGH**



**PRE-INSTALLED  
INTUMESCENT**



# ALL ALUMINIUM 12"

## FD30 REPLACEMENT LETTERPLATE



**For 44mm Door Profiles**

**Perfect replacement for Timber FD30 doorsets.**

The FIREMONGERY Aluminium 12 inch letterplate is available in 44mm depth for wooden doors. Comes with a 10 year colour fast guarantee against colour fading in the sun - Outward facing brushes create an Anti-Vandal feature as it prevents vandals from placing unwanted items into the cavity



180° opening  
prevent the flap  
snapping off

Ultra-Flexible  
springs withstand  
thousands of  
opening

Lined with  
intumescent material  
which expands to 50  
times its size

Outward facing,  
draft proof brushes  
prevents vandals  
placing unwanted  
items into the cavity

UAP letterplates have been assessed by Warringtonfire.

Based upon referenced fire resistance test evidence conducted to BS 476 Part 22: 1987, the letterplates are considered capable of achieving up to 30 minutes fire integrity, when:

- Installed within a doorset having proven fire resistance performance of at least 30 minutes integrity.
- Fitted strictly in accordance with the aperture dimensions, fixing methods, and intumescent protection:
  - Installation requires a door leaf aperture up to 260 mm wide by 47 mm high
- Installed within the assessed height range of 300mm to 1700mm from the bottom of the door.
- Used in timber-based doorsets consistent with those described within the assessment scope.

Full details available upon request.

## PRODUCT CODES

FINISH	PRODUCT CODE	MATERIAL	COATING GUARANTEE
Gold Anodised	FMG1248G-FR	Aluminium	10 Years Colour Fast
Silver Anodised	FMS1248S-FR	Aluminium	10 Years Colour Fast
Black Powder Coat	FMB1248BALU-FR	Aluminium	10 Years Colour Fast
White Powder Coat	FMW1248WALU-FR	Aluminium	10 Years Colour Fast
Polished Silver	FMPS1248PS-FR	Aluminium	10 Years Colour Fast

## MEASUREMENTS

Distance Between Screw Holes	272mm
Letterplate Length	300mm
Letterplate Height	75mm
Frame Material	Aluminium
Cavity Hole Size with intumescent	260mm x 47mm



**FD30  
TIMBER DOORS**



**COMPLIANT  
REPLACEMENT**



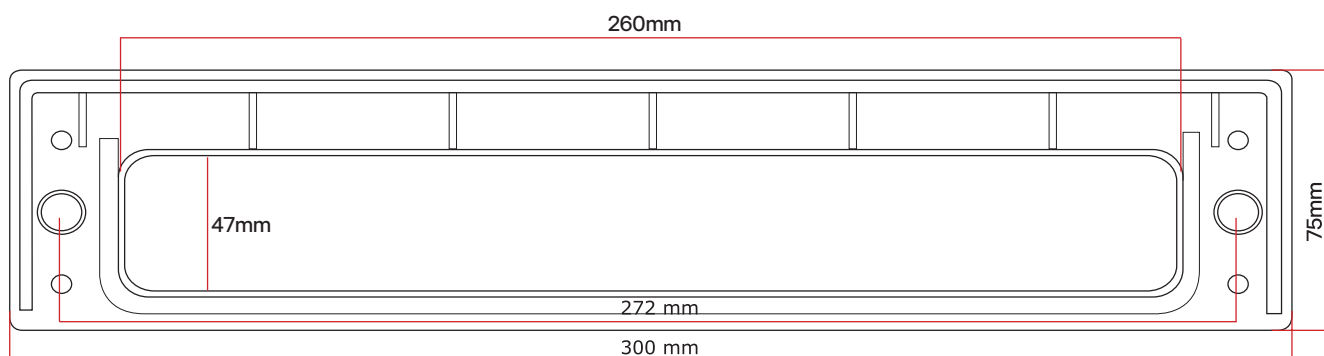
**MEETS FD30  
SPECIFICATION**



**FITS APERTURES UP  
TO 260 MM WIDE  
BY 47 MM HIGH**



**PRE-INSTALLED  
INTUMESCENT**



**FIREMONGERY®**

Compliance made easy.

# Other products in the range:

**Door Locks**

**Door cylinders**

**Door handles**

**Hinges**

**Door viewers**

**Door Knockers**

**Numerals**

**Door chains**

**[sales@uaplimited.com](mailto:sales@uaplimited.com)  
[uaplimited.com](http://uaplimited.com)**



**ALLEGION™**

Part of the Allegion family of brands.